

# BUNN®

## My Cafe® MCR Single Serve Cartridge Pourover Brewer

Use Single Serve Cartridges to quickly brew one flavorful beverage at a time. Commercially rated brewing system designed for small office and food service applications.

15.5" x 8.8" x 16"  
(39.4cm x 22.4cm x 40.6cm)

Low-Medium Volume  
60 8oz. (236mL) cups/hour\*

## FEATURES & BENEFITS

- Compact size - only 15.5" tall and requires less than 9" of counter space
- Pour-over unit requires no plumbing
- Simple operation with manual loading of single serve cartridges
- Accommodates a variety of single serve cartridges:
  - coffee
  - hot tea
  - cocoa
- Two brew sizes - default 6 oz. and 8 oz., adjustable from 4 to 16 oz. in .2 oz. increments
- Removable, dishwasher-safe 90 oz. water reservoir with large fill opening
- Optional kit for connecting to a water line for automatic water fill
- Designed to meet self-service compliance requirements
- 1-year warranty on parts and 1-year warranty on labor
- ETL & NSF Commercial Ratings

## RESPECT EARTH® COMPONENTS

- Energy-saver mode reduces tank temperature during idle periods.

## RELATED PRODUCTS

49565.0000 Water Inlet Valve Kit

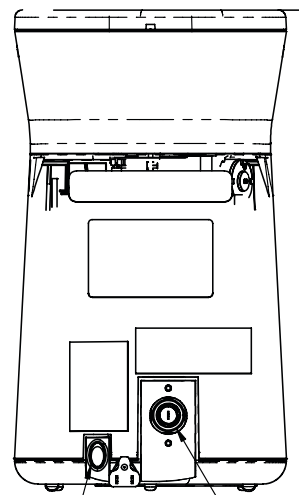
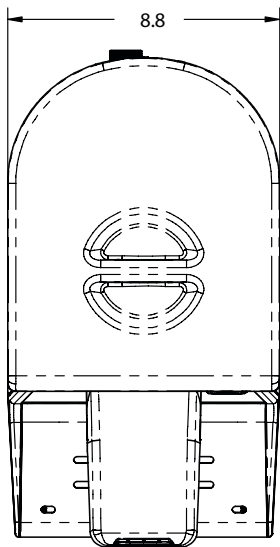


Description		Capacity*	Electrical Requirements					Shipping		Agency
Model	Product #	8oz. cups/hr 236mL cups/hr	Volts	Amps	Watts	Cord Attached	Plug Type	Fi³ M³	lbs kgs	Listing
MCR	44600.0000	60	120	12.25	1470	yes	NEMA 5-15P	2.34 .07	30 14.1	ETL <sup>us</sup> Intertek NSF

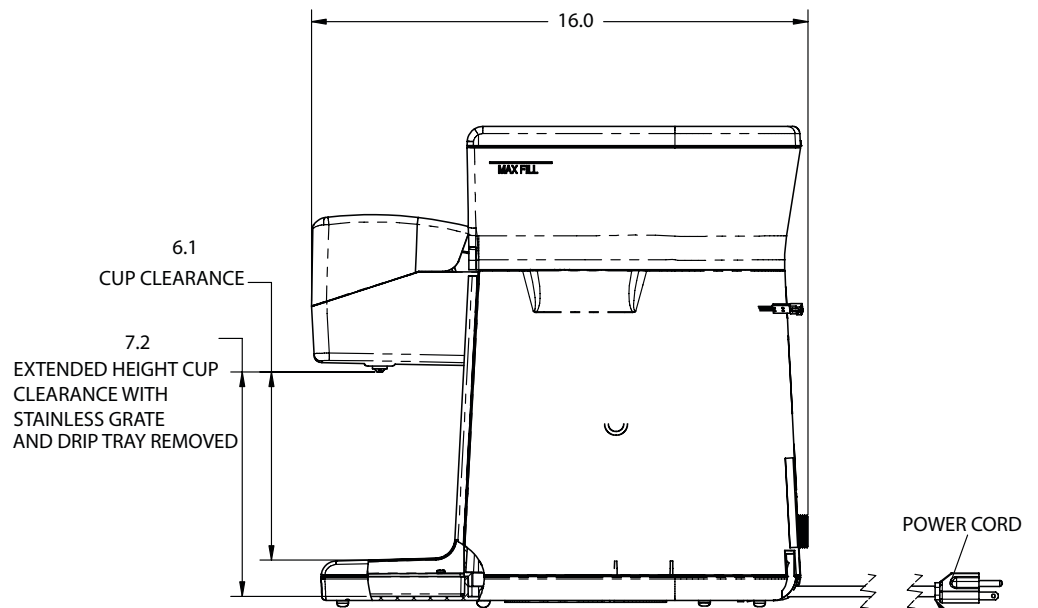
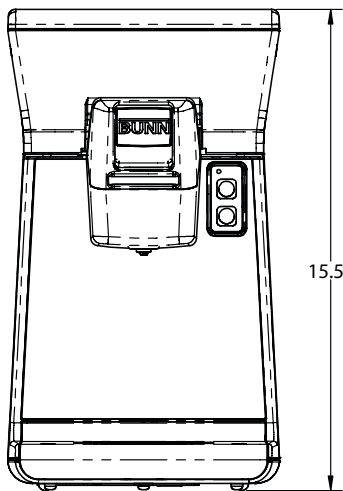
\*Capacity: based upon incoming water temp of 60°F (140°F rise).

[www.bunn.com/products/single\\_serve/mcr.html](http://www.bunn.com/products/single_serve/mcr.html)

A7.6  
03/14



POWER SWITCH — OPTIONAL WATER INLET



**CAD Formats Available**

2D    Revit    KCL



**Electrical Requirements**

Volts	Phase	# Wires plus Ground	Hertz
120	1	2	60

**Plumbing Requirements**

PSI	Fitting Supplied	Water Flow Required (GPM)
	N/A	

To see illustrated parts manuals, visit [bunn.com/support/manuals](http://bunn.com/support/manuals)

BUNN® reserves the right to change specifications and product design without notice. Such revisions do not entitle the buyer to corresponding changes, improvements, additions or replacements for previously purchased equipment. For most current specifications and other info visit [bunn.com](http://bunn.com). All dimensions shown in inches.

K-CUP® is a trademark of Keurig, Incorporated.  
BUNN is not affiliated with Keurig, Incorporated.